

Spare parts list

Handheld pneumatic drills



Contents

General information	5
Spare parts list	6
BBD 12D.....	6
BBD 12DS.....	8
BBD 12DCS.....	10
Accessories.....	12
Accessories.....	12
Optional equipment.....	12
Rock drill AIR-OIL.....	12
Kits.....	13
Pawl kit - 3115 9202 90.....	13

General information

This spare parts list applies to the following:

Part number	Description
8311 0102 47	Pneumatic drill BBD 12D
8311 0102 80	Pneumatic drill BBD 12DS
8311 0101 63	Pneumatic drill BBD 12DCS

Use only authorized parts. Any damage or malfunction caused by the use of unauthorized parts is not covered by Warranty or Product Liability. Any unauthorized use or copying of the contents or any part thereof is prohibited. This applies in particular to trademarks, model denominations, part numbers, and drawings.

Instructions for use

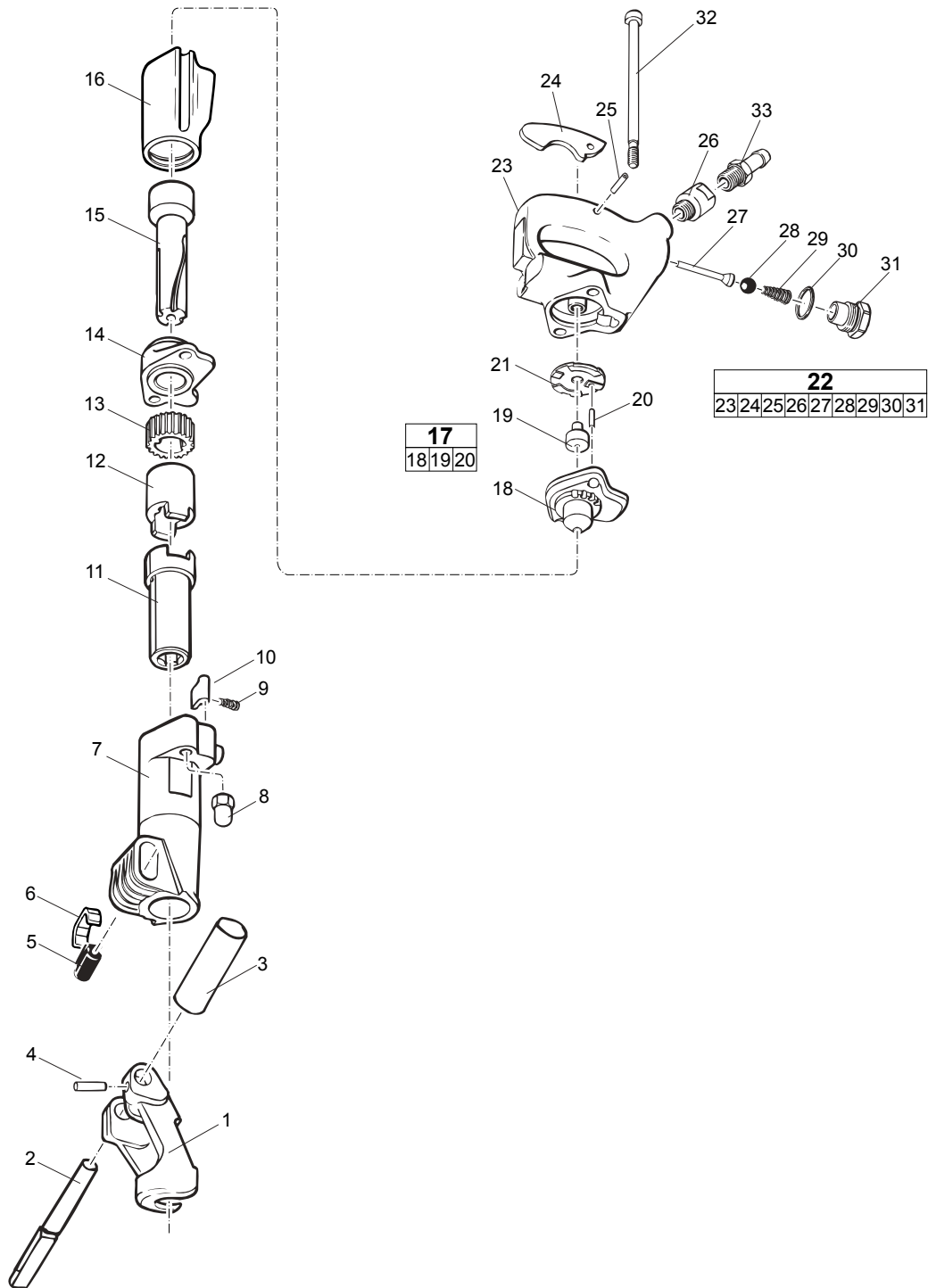
This spare parts list contains no safety regulations and is merely intended to assist in the ordering of spare parts.

For information about operating, servicing, or repairing, the relevant Safety and operating instructions must be consulted at all costs.

Please observe the safety instructions listed in the relevant Safety and operating instructions!

Spare parts list

BBD 12D

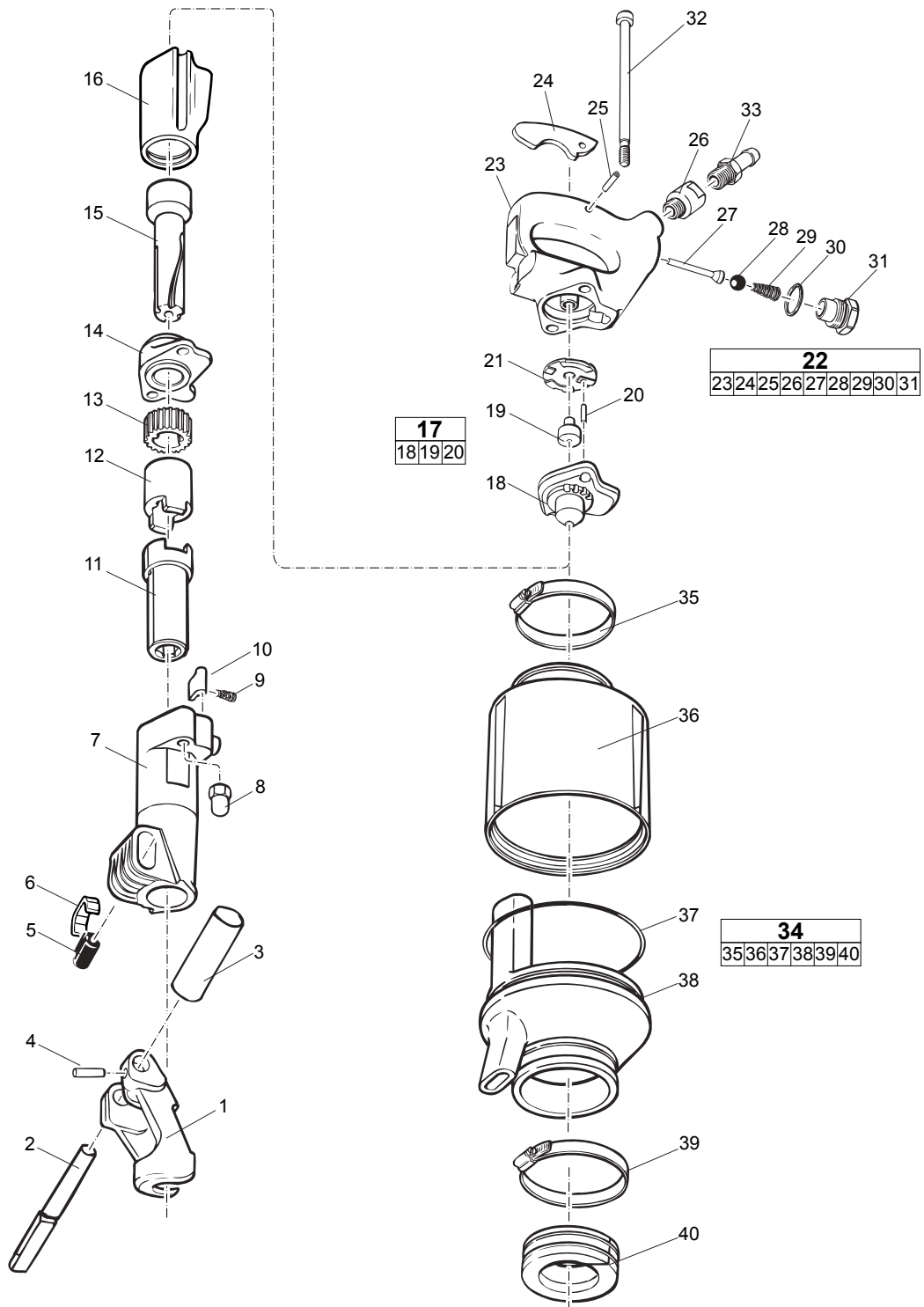


17		
18	19	20

22								
23	24	25	26	27	28	29	30	31

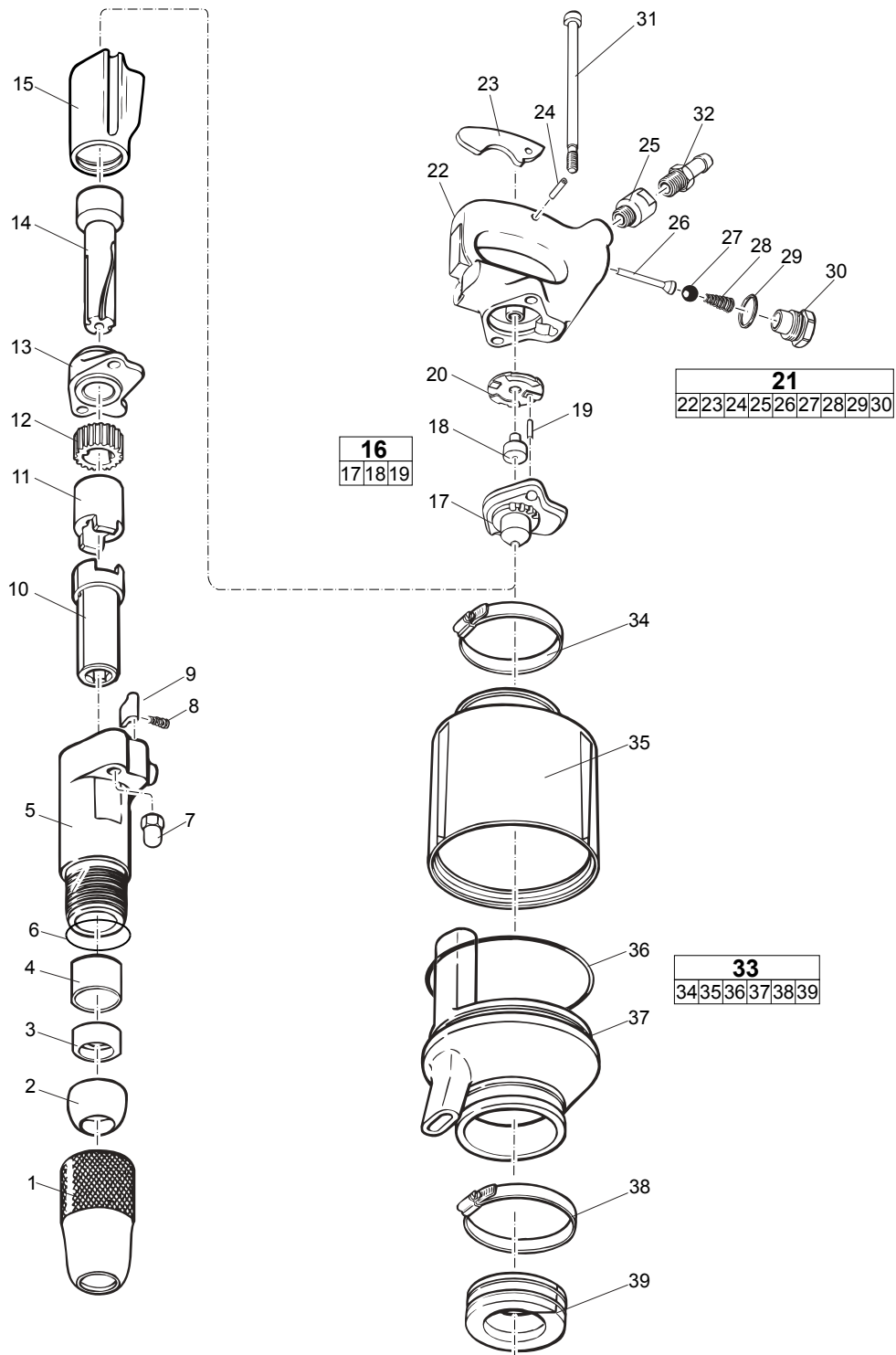
No.	Description	Remark	Quantity	Part number
1	Drill retainer		1	3115 2475 00
2	Retainer pin		1	3115 2480 00
3	Sleeve		1	3115 2481 00
4	Slotted spring pin		1	0108 1359 00
5	Rubber buffer		1	3111 0057 00
6	Buffer plate		1	3111 0056 00
7	Front head		1	3111 0053 00
8	Cap nut		2	3111 0031 00
9	Conical spring		2	3111 0023 00
10	Pawl		2	3111 0020 00
11	Drill chuck	19 x 108 mm (¾" x 4¼")	1	3111 0051 00
12	Driver		1	3111 0024 00
13	Ratchet wheel		1	3111 0019 00
14	Intermediate part		1	3111 0017 00
15	Piston		1	3111 0016 00
16	Cylinder		1	3111 0015 00
17(18-20)	Cover, complete		1	3111 0013 80
18	Cover		1	-
19	Guide pin		1	3111 0014 00
20	Pin		1	0108 3241 00
21	Main valve		1	3111 0012 00
22(23-31)	Handle, complete		1	3115 2483 80
23	Handle		1	-
24	Trigger		1	3111 0002 00
25	Pin		1	0108 1327 00
26	Nut		1	3510 0143 00
27	Valve pin		1	3111 0003 00
28	Rubber ball		1	3111 0196 00
29	Conical spring		1	3111 0004 00
30	Washer		1	3111 0010 00
31	Ball retainer		1	3111 0005 00
32	Side bolt		2	3111 0197 00
33	Hose nipple	12.5 mm (½")	1	9000 0243 00

BBD 12DS



No.	Description	Remark	Quantity	Part number
1	Drill retainer		1	3115 2475 00
2	Retainer pin		1	3115 2480 00
3	Sleeve		1	3115 2481 00
4	Slotted spring pin		1	0108 1359 00
5	Rubber buffer		1	3111 0057 00
6	Buffer plate		1	3111 0056 00
7	Front head		1	3111 0053 00
8	Cap nut		2	3111 0031 00
9	Conical spring		2	3111 0023 00
10	Pawl		2	3111 0020 00
11	Drill chuck	19 x 108 mm (¾" x 4¼")	1	3111 0051 00
12	Driver		1	3111 0024 00
13	Ratchet wheel		1	3111 0019 00
14	Intermediate part		1	3111 0017 00
15	Piston		1	3111 0016 00
16	Cylinder		1	3111 0015 00
17(18-20)	Cover, complete		1	3111 0013 80
18	Cover		1	-
19	Guide pin		1	3111 0014 00
20	Pin		1	0108 3241 00
21	Main valve		1	3111 0012 00
22(23-31)	Handle, complete		1	3115 2483 80
23	Handle		1	-
24	Trigger		1	3111 0002 00
25	Pin		1	0108 1327 00
26	Nut		1	3510 0143 00
27	Valve pin		1	3111 0003 00
28	Rubber ball		1	3111 0196 00
29	Conical spring		1	3111 0004 00
30	Washer		1	3111 0010 00
31	Ball retainer		1	3111 0005 00
32	Side bolt		2	3111 0197 00
33	Hose nipple	12.5 mm (½")	1	9000 0243 00
34(35-40)	Silencer, complete		1	3115 2487 80
35	Hose clamp		1	0347 6117 00
36	Silencer	Upper part	1	3115 2487 00
37	O-ring		1	0663 6151 00
38	Silencer	Lower part	1	3115 0772 00
39	Hose clamp		1	0347 6116 00
40	Bushing		1	3115 0773 00

BBD 12DCS



No.	Description	Remark	Quantity	Part number
1	Drill retainer		1	3121 5000 33
2	Buffer		1	3115 1250 00
3	Stop ring		1	3111 0028 00
4	Sleeve		1	3115 1249 00
5	Front head		1	3121 5000 34
6	O-ring		1	0663 2134 00
7	Cap nut		2	3111 0031 00
8	Conical spring		2	3111 0023 00
9	Pawl		2	3111 0020 00
10	Drill chuck	19 x 108 mm (¾" x 4¼")	1	3111 0051 00
11	Driver		1	3111 0024 00
12	Ratchet wheel		1	3111 0019 00
13	Intermediate part		1	3111 0017 00
14	Piston		1	3111 0016 00
15	Cylinder		1	3111 0015 00
16(17-19)	Cover, complete		1	3111 0013 80
17	Cover		1	-
18	Guide pin		1	3111 0014 00
19	Pin		1	0108 3241 00
20	Main valve		1	3111 0012 00
21(22-30)	Handle, complete		1	3115 2483 80
22	Handle		1	-
23	Trigger		1	3111 0002 00
24	Pin		1	0108 1327 00
25	Nut		1	3510 0143 00
26	Valve pin		1	3111 0003 00
27	Rubber ball		1	3111 0196 00
28	Conical spring		1	3111 0004 00
29	Washer		1	3111 0010 00
30	Ball retainer		1	3111 0005 00
31	Side bolt		2	3111 0197 00
32	Hose nipple	12.5 mm (½")	1	9000 0243 00
33(34-39)	Silencer, complete		1	3115 2487 80
34	Hose clamp		1	0347 6117 00
35	Silencer	Upper part	1	3115 2487 00
36	O-ring		1	0663 6151 00
37	Silencer	Lower part	1	3115 0772 00
38	Hose clamp		1	0347 6116 00
39	Bushing		1	3115 0773 00

Accessories

Accessories

Description	Remark	Quantity	Part number
Round rubber hoses			
Pre-mounted hose fitted with coupling and hose clamp	European type, 12.5 mm (1/2")	1	9030 2066 00
Pre-mounted hose fitted with coupling and hose clamp	US type, 12.5 mm (1/2")	1	9030 2064 00
Pre-mounted hose fitted with coupling and hose clamp	16 mm (5/8")	1	9030 2046 00
Lubricator			
CLG 30, for both mineral and synthetic oil	European type	1	8202 5102 39
CLG 30, for both mineral and synthetic oil	US type	1	8202 5102 40
Water separator			
VAM 01 - European type	airflow <50% (106 cfm)	1	8092 0110 58
VAM 01 - US type	airflow <50% (106 cfm)	1	8092 0110 59

Optional equipment

Description	Remark	Quantity	Part number
Drill chuck	22 x 108 mm (7/8" x 4 1/4")	1	3111 0066 00
Hose nipple	16 mm (5/8")	1	9000 0244 00

Rock drill AIR-OIL

Description	Remark	Quantity	Part number
Rock drill AIR-OIL	1 l (0.22 gallon)	1	8099 0201 01
Rock drill AIR-OIL	1 l (0.22 gallon)	12	8099 0201 81
Rock drill AIR-OIL	4 l (0.88 gallon)	1	8099 0201 04
Rock drill AIR-OIL	4 l (0.88 gallon)	4	8099 0201 84
Rock drill AIR-OIL	10 l (2.2 gallon)	1	8099 0201 10
Rock drill AIR-OIL	208 l Drum (46 gallon)	1	8099 0201 28

Kits

Pawl kit - 3115 9202 90

Description	Remark	Quantity	Part number
Pawl kit		1	3115 9202 90
Pawl		2	3111 0020 00
Conical spring		2	3111 0023 00



Any unauthorized use or copying of the contents or any part thereof is prohibited.
This applies in particular to trademarks, model denominations, part numbers, and
drawings.

© 2009 Atlas Copco Construction Tools AB | No. 9800 0758 01a | 2009-08-28

www.atlascopco.com